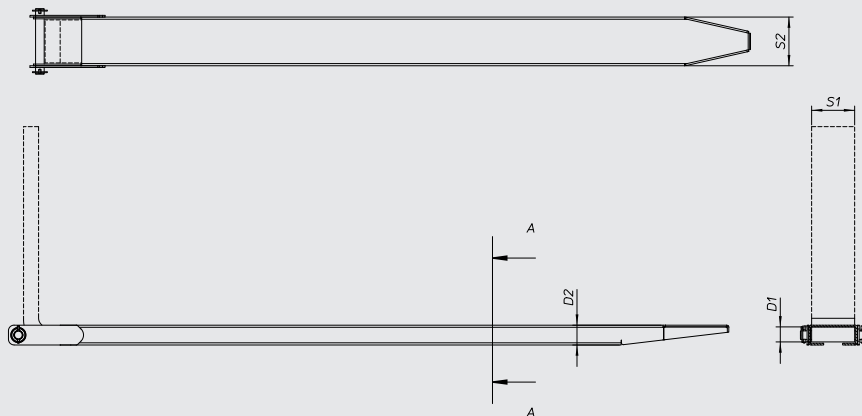


LOOSE FORK EXTENSIONS



Loose fork extensions

- For applications with very infrequent need for differing fork length.

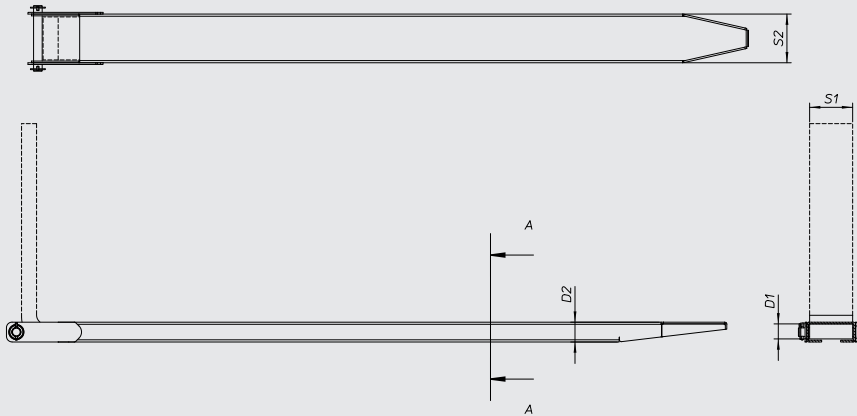
Fork Extensions - for applications with very infrequent need for differing fork length.

Model	Capacity on LC 600 mm (kg)	Section D1xS1 (mm)	Section D2xS2 (mm)	L (mm)	Sheet thickness (mm)	Weight per pair (kg)	Extra weight /100 mm (kg)
E15-1600-035080	1500	35 x 80	46 x 93	1600	4	22	1,5
E18-1600-035100	1800	35 x 100	46 x 113			24	1,6
E24-1600-035130	2400	35 x 130	46 x 143			27	1,8
E19-1600-040080	1900	40 x 80	51 x 93	1600	4	23	1,5
E24-1600-040100	2400	40 x 100	51 x 113			25	1,6
E29-1600-040120	2900	40 x 120	51 x 133			27	1,8
E32-1600-040130	3200	40 x 130	51 x 143			28	1,9
E31-1600-045100	3100	45 x 100	56 x 113	1600	4	26	1,7
E37-1600-045120	3700	45 x 120	56 x 133			28	1,8
E39-1600-045125	3900	45 x 125	56 x 138			29	1,9
E40-1600-045130	4000	45 x 130	56 x 143			29	1,9
E38-1600-050100	3800	50 x 100	63 x 115	1600	5	35	2,2
E46-1600-050120	4600	50 x 120	63 x 135			37	2,4
E48-1600-050125	4800	50 x 125	63 x 140			38	2,4
E54-1600-050140	5400	50 x 140	63 x 155			40	2,6
E58-1600-050150	5800	50 x 150	63 x 165			41	2,6

Remark:

- Insertion length should be a minimum of 60% for open and closed extensions.
- Capacities shown are nominal and apply to the forks and not the lift truck.
- The lift truck manufacturer must determine the combined KOOI-REACHFORKS® and lift truck capacity.

LOOSE FORK EXTENSIONS



Loose fork extensions

- For applications with very infrequent need for differing fork length.

Fork Extensions - for applications with very infrequent need for differing fork length.

Model	Capacity on LC 24" (Lbs)	Section D1xS1 (In)	Section D2xS2 (In)	L (In)	Sheet thickness (In)	Weight per pair (Lbs)	Extra weight /100 mm (Lbs)
E15-1600-035080	3.300	1.4 x 3.1	1.8 x 3.7	63.0	0.16	49	3.3
E18-1600-035100	3.960	1.4 x 3.9	1.8 x 4.4			53	3.5
E24-1600-035130	5.280	1.4 x 5.1	1.8 x 5.6			59	4.0
E19-1600-040080	4.180	1.6 x 3.1	2.0 x 3.7	63.0	0.16	51	3.3
E24-1600-040100	5.280	1.6 x 3.9	2.0 x 4.4			56	3.6
E29-1600-040120	6.380	1.6 x 4.7	2.0 x 5.2			60	3.9
E32-1600-040130	7.040	1.6 x 5.1	2.0 x 5.6			62	4.2
E31-1600-045100	6.820	1.8 x 3.9	2.2 x 4.4	63.0	0.16	58	3.7
E37-1600-045120	8.140	1.8 x 4.7	2.2 x 5.2			62	4.0
E39-1600-045125	8.580	1.8 x 4.9	2.2 x 5.4			63	4.1
E40-1600-045130	8.800	1.8 x 5.1	2.2 x 5.6			64	4.2
E38-1600-050100	8.360	2.0 x 3.9	2.5 x 4.5	63.0	0.20	76	4.8
E46-1600-050120	10.120	2.0 x 4.7	2.5 x 5.3			82	5.2
E48-1600-050125	10.560	2.0 x 4.9	2.5 x 5.5			83	5.3
E54-1600-050140	11.880	2.0 x 5.5	2.5 x 6.1			87	5.6
E58-1600-050150	12.760	2.0 x 5.9	2.5 x 6.5			90	5.8

Remark:

- Insertion length should be a minimum of 60% for open and closed extensions.
- Capacities shown are nominal and apply to the forks and not the lift truck.
- The lift truck manufacturer must determine the combined KOOI-REACHFORKS® and lift truck capacity.