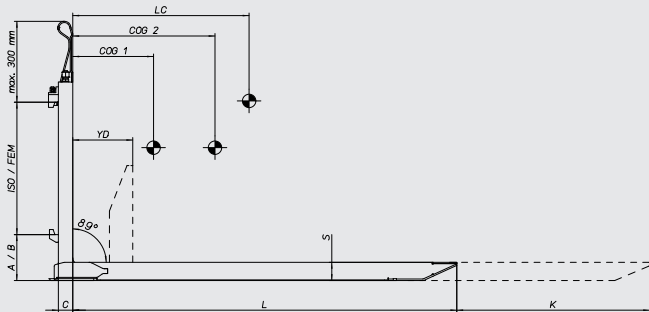
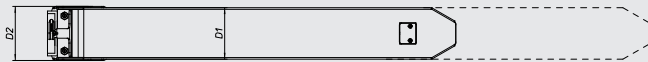


HYDRAULIC KOOI-REACHFORKS®

One-sided loading and unloading



One-sided (un)loading:

Mainly used on counterbalance and side-loader lift trucks for one side loading.

- Saving time up to 25%.
- Improve safety (remains in sight).

Double range - mainly on counterbalance and side-loader lift trucks for one sided loading

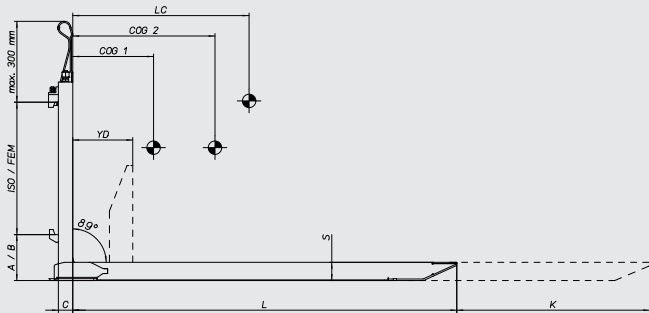
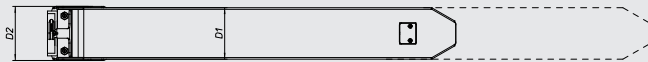
Model	Capacity on LC 600 mm (kg)	Section D1/D2xS (mm)	L / K (mm)	C (mm)	CoG1 (mm)	CoG2 (mm)	Weight per pair (kg)	ISO/FEM
RG4 25 1100/0750	2500	161/169x57	1100/0750	45	363	536	178	2A
RG4 25 1200/0850			1200/0850		406	607	189	
RG4 25 1350/1000			1350/1000		473	717	206	
RG4 35 1100/0750	3500	161/169x57	1100/0750	45	344	506	189	3A
RG4 35 1200/0850			1200/0850		386	576	200	
RG4 35 1350/1000			1350/1000		451	683	217	
RG4 45 1100/0750	4500	161/169x57	1100/0750	45	344	506	189	3A
RG4 45 1200/0850			1200/0850		386	576	200	
RG4 45 1350/1000			1350/1000		451	683	217	
RG4 58 1100/0750	5800	161/169x62	1100/0750	50	314	449	233	4A
RG4 58 1200/0850			1200/0850		354	512	245	
RG4 58 1350/1000			1350/1000		415	610	264	
RE4 32 1100/0750	3200	161/169x48	1100/0750	45	328	486	176	3A
RE4 32 1200/0850			1200/0850		369	554	185	
RE4 32 1350/1000			1350/1000		433	660	200	

Remark:

- Minimum operating pressure 160 bar, maximum 250 bar.
- Recommended maximum oil flow 25 l/min.
- Type RE delivered including separate flow divider and four hydraulic hoses. Type RG delivered including one hydraulic hose.
- All forks have a 6 mm thick integrated wear plate (400 HB) under the complete outer sleeves for longer life span.
- For optimal speed and minimum loss of pressure the recommended minimum hose diameter is 8 mm.
- In cold-storage applications KOOI-REACHFORKS® can be used down to -30 degrees Celcius, contact your dealer.
- The lift truck manufacturer must determine the combined KOOI-REACHFORKS® and lift truck capacity.
- Capacities shown are nominal and apply to the forks and not the lift truck. Other capacities and dimensions on request.

HYDRAULIC KOOI-REACHFORKS®

One-sided loading and unloading



One-sided (un)loading:

Mainly used on counterbalance and side-loader lift trucks for one side loading.

- Saving time up to 25%.
- Improve safety (remains in sight).

Double range - mainly on counterbalance and side-loader lift trucks for one sided loading

Model	Capacity on LC 24" (LBS)	Section D1/D2xS (In)	L / K (In)	C (In)	CoG1 (In)	CoG2 (In)	Weight per pair (Lbs)	ISO/FEM
RG4 25 1100/0750	5,500	6.3/6.7x2.2	43.3/29.5	1,8	14,3	21,1	390	2A
RG4 25 1200/0850			47.2/33.5		16,0	23,9	415	
RG4 25 1350/1000			53.1/39.4		18,6	28,2	455	
RG4 35 1100/0750	7,700	6.3/6.7x2.2	43.3/29.5	1,8	13,5	19,9	415	3A
RG4 35 1200/0850			47.2/33.5		15,2	22,7	440	
RG4 35 1350/1000			53.1/39.4		17,8	26,9	480	
RG4 45 1100/0750	9,900	6.3/6.7x2.2	43.3/29.5	1,8	13,5	19,9	415	3A
RG4 45 1200/0850			47.2/33.5		15,2	22,7	440	
RG4 45 1350/1000			53.1/39.4		17,8	26,9	480	
RG4 58 1100/0750	12,750	6.3/6.7x2.4	43.3/29.5	2,0	12,4	17,7	515	4A
RG4 58 1200/0850			47.2/33.5		13,9	20,2	540	
RG4 58 1350/1000			53.1/39.4		16,3	24,0	580	
RE4 32 1100/0750	7,050	6.3/6.7x1.9	43.3/29.5	1,8	12,9	19,1	390	3A
RE4 32 1200/0850			47.2/33.5		14,5	21,8	405	
RE4 32 1350/1000			53.1/39.4		17,0	26,0	440	

Remark:

- Minimum operating pressure 2320 Psi, maximum 3625 Psi.
- Recommended maximum oil flow 5.5 gal/min.
- Type RG delivered including one hydraulic hose.
- All forks have a 0.24 Inch thick integrated wear plate (400 HB) under the complete outer sleeves for longer life span.
- For optimal speed and minimum loss of pressure the recommended minimum hose diameter is 0.31 Inch.
- In cold-storage applications KOOI-REACHFORKS® can be used down to -13 F°, contact your dealer.
- The lift truck manufacturer must determine the combined KOOI-REACHFORKS® and lift truck capacity.
- Capacities shown are nominal and apply to the forks and not the lift truck. Other capacities and dimensions on request.