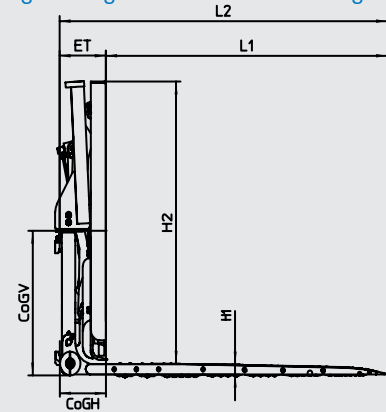
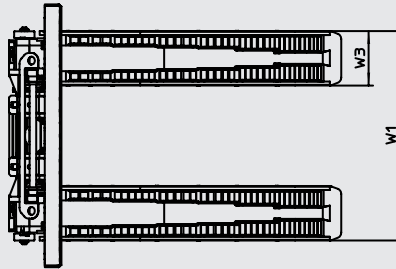
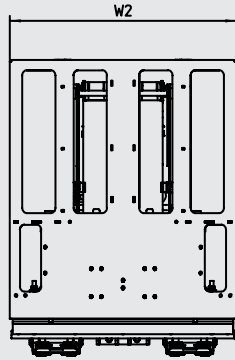


ROLLERFORKS® PUSH-PULLS

Palletless handling of single and multi-stacked goods

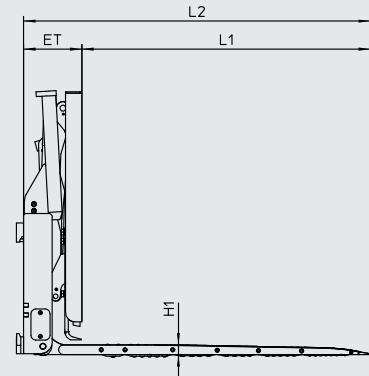
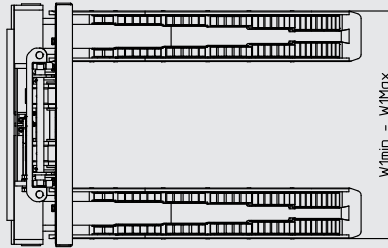
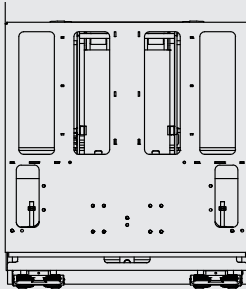


ROLLERFORKS® Push/Pull, one hydraulic function needed

Model	Capacity on LC 600 mm (kg)	W1 (mm)	W2 (mm)	W3 (mm)	ET (mm)	L1 (mm)	L2 (mm)	H1 (mm)	H2 (mm)	CoGH (mm)	CoGV (mm)	ISO/FEM	Weight (kg)
PP-M07-12R-10D1	665	670	1018	190	208	1200	1410	48	1055	246	334	FEM2A	398
PP-M10-12R-10D1	1000	640		160		1200	1410			234	337		395
PP-M17-12R-10D1	1600	690		210		1200	1410			252	317		440
PP-M20-12R-10D1	2000	890		310		1200	1410			301	271		522
PP-M17-12R-10D1-REF	1600	800		270		1200	1410			268	308		447

Remark:

- W1 maximum is depending on fork carriage width.



ROLLERFORKS® Push/Pull with hydraulic fork positioner, two hydraulic function needed

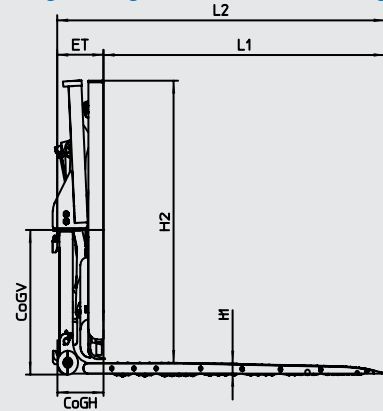
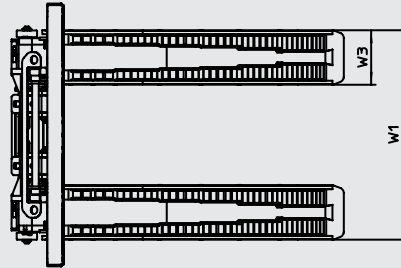
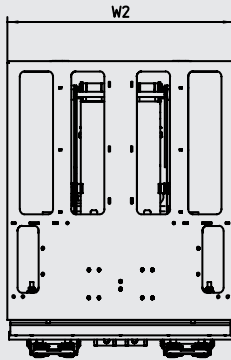
Model	Capacity on LC 600 mm (kg)	W1min/ W1max- (mm)	W2 (mm)	W3 (mm)	ET (mm)	L1 (mm)	L2 (mm)	H1 (mm)	H2 (mm)	CoGH (mm)	CoGV (mm)	ISO/FEM	Weight (kg)
PP-M17-12R-10D1-H	1600	430/960	1018	210	255	1200	1460	48	1060	261	240	FEM2A	504
PP-M17-12R-10D1-H	2000	630/1000		310						325	204		556

Optional:

- Quick change lower mounting hooks.
- Recommended operating pressure for all Push-Pulls are at least 160 bar and the recommended flow is 10 l/min.

ROLLERFORKS® PUSH-PULLS

Palletless handling of single and multi-stacked goods

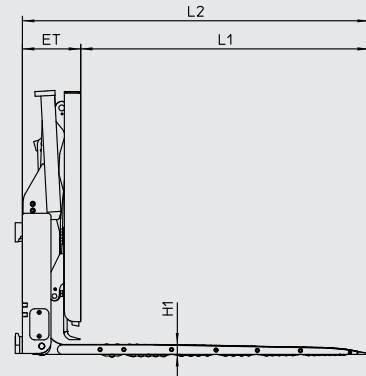
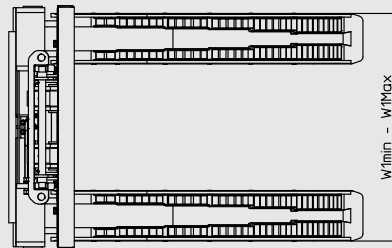
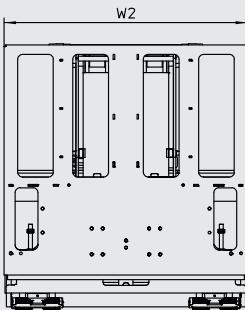


ROLLERFORKS® Push/Pull, one hydraulic function needed

Model	Capacity on LC 24" (Lbs)	W1 (in)	W2 (in)	W3 (in)	ET (in)	L1 (in)	L2 (in)	H1 (in)	H2 (in)	CoGH (in)	CoGV (in)	ISO/FEM	Weight (Lbs)	
PP-M07-12R-10D1	1466	31.1	40.1	7.5	8.2	47.3	55.5	1.9	41.5		9.7	13.5	FEM2A	877
PP-M10-12R-10D1	2204	29.8		6.3	8.2	47.3	55.5				9.2	13.3		870
PP-M17-12R-10D1	3527	31.9		8.3	8.2	47.3	55.5				9.9	12.5		970
PP-M20-12R-10D1	4409	35.8		12.2	8.2	47.3	55.5				11.8	10.7		1150
PP-M17-12R-10D1-REF	3527	34.3		10.6	8.2	47.3	55.5				10.5	12.1		985

Remark:

- W1 maximum is depending on fork carriage width.



ROLLERFORKS® Push/Pull with hydraulic fork positioner, two hydraulic function needed

Model	Capacity on LC 24" (Lbs)	W1min/W1max(In)	W2 (in)	W3 (in)	ET (in)	L1 (in)	L2 (in)	H1 (in)	H2 (in)	CoGH (in)	CoGV (in)	ISO/FEM	Weight (Lbs)
PP-M17-12R-10D1-H	3527	16.9/37.8	40.1	8.3	10	47.3	57.5	1.9	41.7	10.3	9.5	FEM2A	1111.1
PP-M17-12R-10D1-H	4409	24.8/39.4		12.2									

Optional:

- Quick change lower mounting hooks.
- Recommended operating pressure for all Push-Pulls are at least 160 bar and the recommended flow is 10 l/min.