

Mast Height Extension

This unique Mast Height Extension system is designed to provide additional lift height to a wide range of forklift trucks. This is especially useful if the existing mast does not comply with the requested height. The extra lift height may also allow for increased storage as more pallets can be stored at higher levels without changing the mast, (upright), on the forklift.

FEATURES

- Excellent visibility.
- Minimum lost load thickness.
- Existing lift truck forks can be used.
- Lift truck forks can be moved sideways.
- One hydraulic function.

OPTION

- Quick change mounting hooks.



Increase maximum height

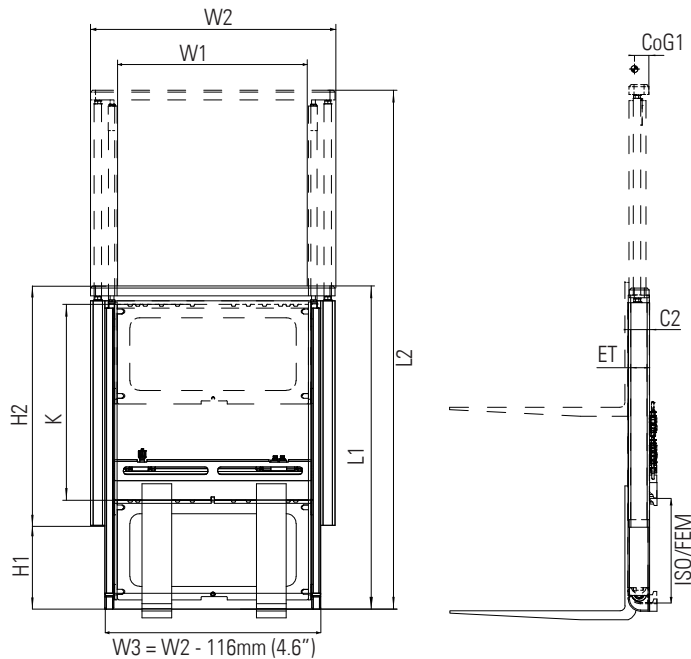
The Mast Height Extension is designed to increase the lift truck height of an existing lift truck mast. By adding the Mast Height Extension to a lift truck you can increase the maximum height of your racking without the need to change the mast or buy a new lift truck. Similarly the Mast Height Extension can be used to improve under-door clearance whilst maintaining greatest possible lift height.



Heavy duty MHEH

MSE-FORKS is also able to provide you with a heavy duty Mast Height Extension (MHEH) with a capacity of 2000 kg., as well as 3000 kg., units with standard lift heights up to 1000 mm! The heavy duty units offer a clean, compact design with a lost-load-thickness of just 50 mm. This means there is minimal influence on the residual capacity of the lift truck.

Mast Height Extension



Mast Height Extension - one hydraulic function needed.

| Model | Capacity on LC 600 mm (kg) | Stroke (K) (mm) | L1/L2 (mm) | H1 (mm) | H2 (mm) | W1 (mm) | W2 (mm) | ET (mm) | C2 (mm) | CoG1 (mm) | CoGv1 (mm) | CoGv2 (mm) | Weight (mm) |
|-------------------|----------------------------|-----------------|------------|---------|---------|---------|---------|---------|---------|-----------|------------|------------|-------------|
| MHEH 20 0300 550 | 2000 | 300 | 0820/1120 | 343 | 478 | 550 | 750 | 50 | 85 | 30 | 415 | 540 | 118 |
| MHEH 20 0500 550 | | 500 | 1020/1520 | | 677 | | | | | 31 | 495 | 680 | 136 |
| MHEH 20 0700 550 | | 700 | 1220/1920 | | 877 | | | | | 32 | 585 | 830 | 154 |
| MHEH 20 1000 550 | | 1000 | 1520/2520 | | 1177 | | | | | 33 | 720 | 1045 | 180 |
| MHEH 20 0300 800 | 2000 | 300 | 0820/1120 | 343 | 478 | 800 | 1000 | 50 | 85 | 28 | 415 | 550 | 138 |
| MHEH 20 0500 800 | | 500 | 1020/1520 | | 677 | | | | | 29 | 495 | 695 | 156 |
| MHEH 20 0700 800 | | 700 | 1220/1920 | | 877 | | | | | 30 | 580 | 850 | 174 |
| MHEH 20 1000 800 | | 1000 | 1520/2520 | | 1177 | | | | | 32 | 710 | 1065 | 200 |
| MHEH 30 0300 800 | 3000 | 300 | 0930/1230 | 343 | 587 | 800 | 1000 | 57 | 85 | 25 | 465 | 615 | 177 |
| MHEH 30 0500 800 | | 500 | 1130/1630 | | 787 | | | | | 28 | 540 | 775 | 194 |
| MHEH 30 0700 800 | | 700 | 1330/2030 | | 987 | | | | | 29 | 620 | 926 | 212 |
| MHEH 30 1000 800 | | 1000 | 1630/2630 | | 1287 | | | | | 30 | 745 | 1150 | 240 |
| MHEH 30 0300 1000 | 3000 | 300 | 0930/1230 | 343 | 587 | 1000 | 1200 | 57 | 85 | 23 | 450 | 610 | 210 |
| MHEH 30 0500 1000 | | 500 | 1130/1630 | | 787 | | | | | 25 | 530 | 770 | 230 |
| MHEH 30 0700 1000 | | 700 | 1330/2030 | | 987 | | | | | 27 | 600 | 930 | 250 |
| MHEH 30 1000 1000 | | 1000 | 1630/2630 | | 1287 | | | | | 28 | 715 | 1163 | 280 |

- Possible in combination with KOOI-REACHFORKS®.
- Minimum operating pressure 160 bar, maximum 250 bar.
- Optional: quick change mounting hooks.
- Capacities shown are nominal and apply to the attachment and not the lift truck.
- Other capacities and dimensions on request.
- Remark: When tilting mast carriage please contact MHS.